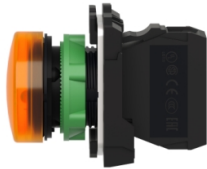


# Bảng thông số sản phẩm

Thông số kỹ thuật



Pilot light, Harmony XB5, grey plastic, orange, 22mm, universal LED, plain lens, 230...240V AC

XB5AVM5

## Main

|                                 |                            |
|---------------------------------|----------------------------|
| Range of product                | Harmony XB5                |
| product or component type       | Pilot light                |
| Device short name               | XB5                        |
| Bezel material                  | Dark grey plastic          |
| Fixing collar material          | Plastic                    |
| Head type                       | Standard                   |
| Mounting diameter               | 22.5 mm                    |
| Sale per indivisible quantity   | 1                          |
| Shape of signaling unit head    | Round                      |
| Cap/operator or lens colour     | Orange                     |
| Operator additional information | With plain lens            |
| Light source                    | Universal LED              |
| Bulb base                       | Integral LED               |
| Light source colour             | Orange                     |
| [Us] rated supply voltage       | 230...240 V AC at 50/60 Hz |
| device presentation             | Complete product           |

## Complementary

|  |  |
|--|--|
| Height                                 | 42 mm  |
| Width                                  | 30 mm  |
| Depth                                  | 54 mm  |
| Terminals description ISO n°1          | (X1-X2)PL  |
| net weight                             | 0.038 kg   |
| Resistance to high pressure washer     | 7000000 Pa at 55 °C, distance : 0.1 m  |
| Connections - terminals                | Screw clamp terminals, $\leq 2 \times 1.5 \text{ mm}^2$ with cable end conforming to IEC 60947-1<br>Screw clamp terminals, $1 \times 0.22...2 \times 2.5 \text{ mm}^2$ without cable end conforming to IEC 60947-1 |
| [Ui] rated insulation voltage          | 250 V (pollution degree 3) conforming to IEC 60947-1   |
| [Uimp] rated impulse withstand voltage | 4 kV conforming to IEC 60947-1   |
| Signalling type                        | Steady   |
| GCR BRIDGE                             | XB5AVCUST05  |
| Compatibility code                     | XB5  |

|                       |                                     |
|-----------------------|-------------------------------------|
| Supply voltage limits | 195...264 V AC                      |
| Current consumption   | 14 mA                               |
| Service life          | 100000 h at rated voltage and 25 °C |
| Surge withstand       | 1 kV conforming to IEC 61000-4-5    |

## Environment

|                                       |  |
|---------------------------------------|--|
| protective treatment                  | TH   |
| Ambient air temperature for storage   | -40...70 °C  |
| Ambient air temperature for operation | -40...70 °C  |
| Overvoltage category                  | Class II conforming to IEC 60536   |
| IP degree of protection               | IP66 conforming to IEC 60529<br>IP67 conforming to IEC 60529<br>IP69 conforming to IEC 60529<br>IP69K conforming to ISO 20653  |
| NEMA degree of protection             | NEMA 13<br>NEMA 4X   |
| IK degree of protection               | IK05 conforming to IEC 50102   |
| Standards                             | CSA C22.2 No 14<br>UL 508<br>IEC 60947-5-1<br>IEC 60947-5-4<br>IEC 60947-1<br>JIS C8201-5-1<br>JIS C8201-1   |
| Product certifications                | CSA<br>UL listed   |
| Vibration resistance                  | 5 gn (f= 12...500 Hz) conforming to IEC 60068-2-6  |
| Shock resistance                      | 50 gn (duration = 18 ms) for half sine wave acceleration conforming to IEC 60068-2-27<br>30 gn (duration = 11 ms) for half sine wave acceleration conforming to IEC 60068-2-27   |
| Resistance to fast transients         | 2 kV conforming to IEC 61000-4-4   |
| Resistance to electromagnetic fields  | 10 V/m conforming to IEC 61000-4-3   |
| Electromagnetic compatibility         | Electrostatic discharge - test level: 6 kV (on contact (on metal parts)) conforming to IEC 61000-4-2<br>Electrostatic discharge - test level: 8 kV (in free air (in insulating parts)) conforming to IEC 61000-4-2<br>Electromagnetic emission class B conforming to IEC 55011 |
| Resistance to electrostatic discharge | 6 kV on contact (on metal parts) conforming to IEC 61000-4-2<br>8 kV in free air (in insulating parts) conforming to IEC 61000-4-2   |
| Electromagnetic emission              | Class B conforming to IEC 55011  |

## Packing Units

|                              |          |
|------------------------------|----------|
| Unit Type of Package 1       | PCE      |
| Number of Units in Package 1 | 1        |
| Package 1 Height             | 3.500 cm |
| Package 1 Width              | 5.000 cm |
| Package 1 Length             | 9.000 cm |
| Package 1 Weight             | 35.800 g |
| Unit Type of Package 2       | S03      |

|                                     |           |
|-------------------------------------|-----------|
| <b>Number of Units in Package 2</b> | 150       |
| <b>Package 2 Height</b>             | 30.000 cm |
| <b>Package 2 Width</b>              | 30.000 cm |
| <b>Package 2 Length</b>             | 40.000 cm |
| <b>Package 2 Weight</b>             | 5.778 kg  |
| <b>Unit Type of Package 3</b>       | P06       |
| <b>Number of Units in Package 3</b> | 1200      |
| <b>Package 3 Height</b>             | 75.000 cm |
| <b>Package 3 Width</b>              | 80.000 cm |
| <b>Package 3 Length</b>             | 60.000 cm |
| <b>Package 3 Weight</b>             | 54.227 kg |

## Contractual warranty

|                 |           |
|-----------------|-----------|
| <b>Warranty</b> | 18 months |
|-----------------|-----------|

## Bền vững

Nhãn **Green Premium™** là cam kết của Schneider Electric trong việc cung cấp sản phẩm với hiệu suất môi trường tốt nhất. Green Premium cam kết tuân thủ các quy định mới nhất, minh bạch về tác động môi trường, cũng như các sản phẩm tuần hoàn và CO<sub>2</sub> thấp.

**Hướng dẫn đánh giá tính bền vững của sản phẩm** là tài liệu kỹ thuật phổ thông giúp làm rõ các tiêu chuẩn nhãn sinh thái toàn cầu và cách diễn giải việc khai báo môi trường.

[Tìm hiểu thêm về Green Premium >](#)


[Hướng dẫn đánh giá về sự bền vững của sản phẩm >](#)



Minh bạch [RoHS/REACH](#)

## Hiệu suất sức khỏe

 Mercury Free

 RoHS Exemption Information [Yes](#)

## Chứng nhận & Tiêu chuẩn

**Reach Regulation** [REACH Declaration](#)

**Eu RoHS Directive** Pro-active compliance (Product out of EU RoHS legal scope)

**China RoHS Regulation** [China RoHS declaration](#)

**Environmental Disclosure** [Product Environmental Profile](#)

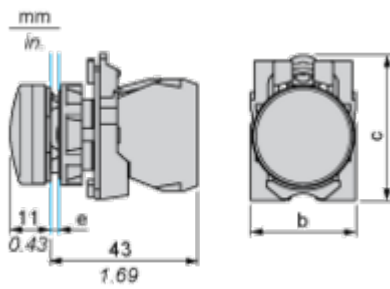
**Weee** The product must be disposed on European Union markets following specific waste collection and never end up in rubbish bins

**Circularity Profile** [End of Life Information](#)

## Dimensions Drawings

### Dimensions

---



**e:** clamping thickness: 1 to 6 mm / 0.04 to 0.24 in.

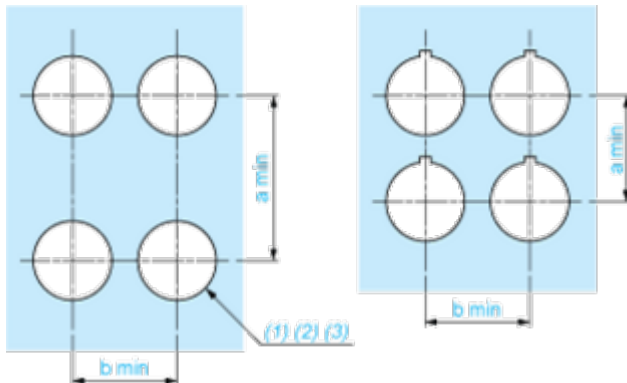
**b:** 30 mm / 1.18 in.

**c:** 41.5 mm / 1.63 in.

## Mounting and Clearance

### Panel Cut-out for Pushbuttons, Switches and Pilot Lights (Finished Holes, Ready for Installation)

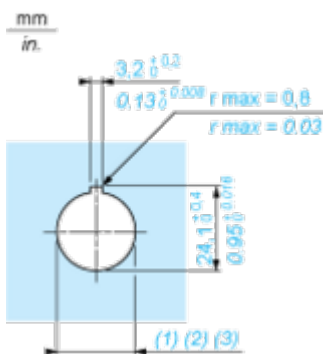
#### Connection by Screw Clamp Terminals or Plug-in Connectors or on Printed Circuit Board



- (1) Diameter on finished panel or support
- (2) For selector switches and Emergency stop buttons, use of an anti-rotation plate type ZB5AZ902 is recommended.
- (3)  $\varnothing 22.5$  mm recommended ( $\varnothing 22.3_0^{+0.4}$ ) /  $\varnothing 0.89$  in. recommended ( $\varnothing 0.88_0^{+0.016}$ )

| Connections                                   | a in mm | a in in. | b in mm | b in in. |
|---|---------|----------|---------|----------|
| By screw clamp terminals or plug-in connector | 40      | 1.57     | 30      | 1.18     |
| By Faston connectors                          | 45      | 1.77     | 32      | 1.26     |
| On printed circuit board                      | 30      | 1.18     | 30      | 1.18     |

#### Detail of Lug Recess



- (1) Diameter on finished panel or support
- (2) For selector switches and Emergency stop buttons, use of an anti-rotation plate type ZB5AZ902 is recommended.
- (3)  $\varnothing 22.5$  mm recommended ( $\varnothing 22.3_0^{+0.4}$ ) /  $\varnothing 0.89$  in. recommended ( $\varnothing 0.88_0^{+0.016}$ )